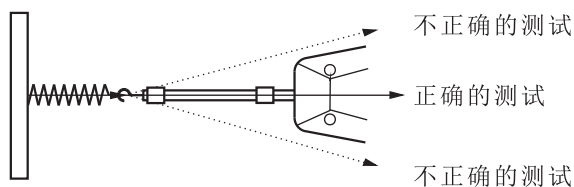


NK系列指针式推拉力计说明书

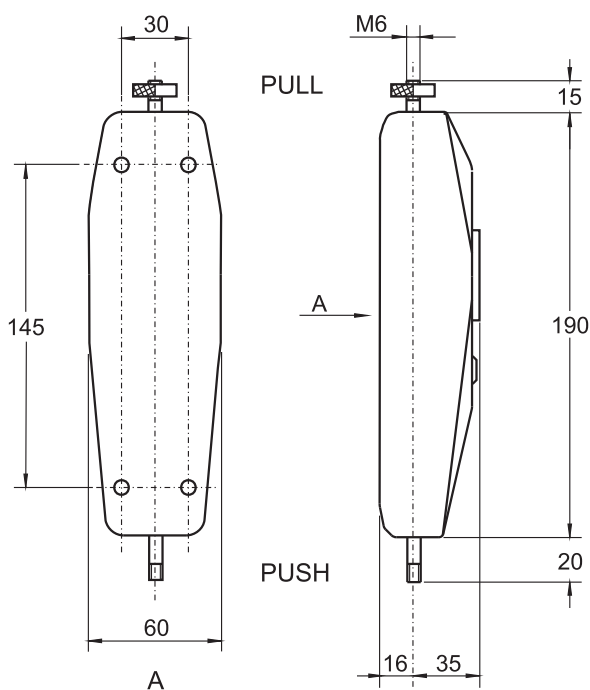
NK系列推拉力计是小型简单的推力、拉力测试仪器，具有高精度、易操作及携带方便之优点，而且有一个峰值切换操作旋钮，可做荷重峰指示及连续荷重峰指示。适用于电子电器、轻工纺织、建筑五金、打火机及点火装置、消防器材、制笔、制锁、渔具、动力机械、科研机构等行业的推拉负荷测试，是替代管形推拉力计的新一代产品。

测试

请将推拉力计安装于合适的机台做测试。测试时请将被测试物和推拉力计置成一直线在执行测试，被测试物和推拉力计若没有成一线，则测试时将无法得到正确的荷重值。



图形结构



规格参数

型号	NK-10	NK-20	NK-30	NK-50	NK-100	NK-200	NK-300	NK-500
最大负荷	10N	20N	30N	50N	100N	200N	300N	500N
分度值	0.05N	0.1N	0.2N	0.2N	0.5N	1.0N	2.0N	2.0N
准确度	±1% FS							
中心轴行程	10mm							
工作温度	20±10℃							
运输温度	-27℃ ~ +70℃							
相对湿度	15%~80% RH							
工作环境	周围无震源及腐蚀性介质							

装箱单

编号	名称	数量
1	机身	1
2	测试头	3
3	延长棒	1
4	说明书	1

合格证

合格证	
型号:	_____
编号:	_____
检验员:	_____
日期:	_____

维修提示：本系列产品由销售点提供有偿维修服务。

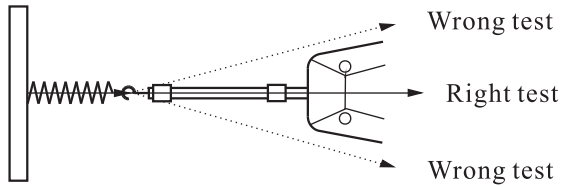
NK Series Analog Force Gauge

USER'S MANUAL

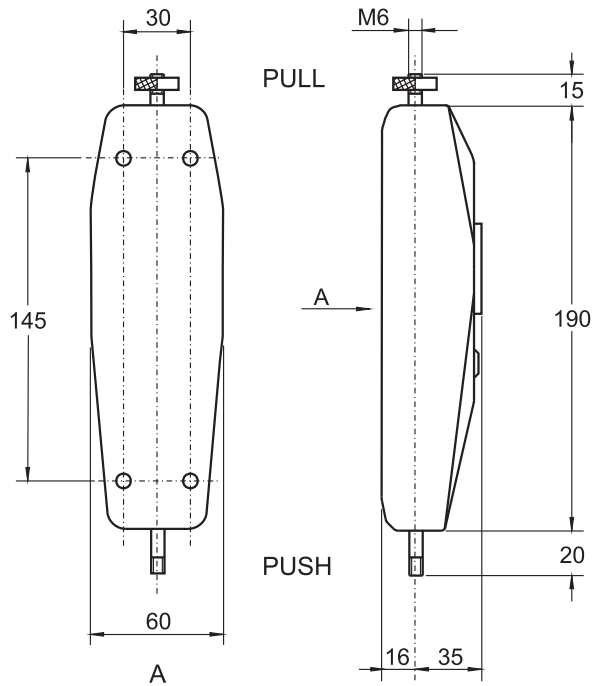
The NK series are analog force gauges with compact size and high accuracy. They are easy to operate and handy to carry out. Single click on a knob on the device will convert the movement of the indication needle from the peak force to the track indication. Before using the instrument, please read the manual carefully to make gauges work accurately.

Test

Please tightly hold gauge by hands or put it on appropriate stands to make a test. When testing, please adjust tested thing and gauge on the same straight line, if they are not, we will not get the correct tested value of load.



Product Structure



Technical Specifications

Model	NK-10	NK-20	NK-30	NK-50	NK-100	NK-200	NK-300	NK-500
Capacity	10N	20N	30N	50N	100N	200N	300N	500N
Resolution	0.05N	0.1N	0.2N	0.2N	0.5N	1.0N	2.0N	2.0N
Accuracy	$\pm 1\%$ FS							
Stroke	10mm							
Work temperature	$20 \pm 10^{\circ}\text{C}$							
Carry temperature	$-27^{\circ}\text{C} \sim +70^{\circ}\text{C}$							
Relative humidity	15%~80% RH							
Work environment	No vibrancy and no cautery around							

Packing List

Number	Names	Quantity
1	Main body	1
2	Measuring tips	3
3	Extensive shaft	1
4	Instruction manual	1

Certificate of Quality

CERTIFICATE OF QUALITY

Model: _____

S/N NO: _____

Checker: _____

Pro.Date: _____